

## Cabinet U-Handles

Aluminum, Angled, Mounting from the Operator's Side

### SPECIFICATION

Aluminum **AL**

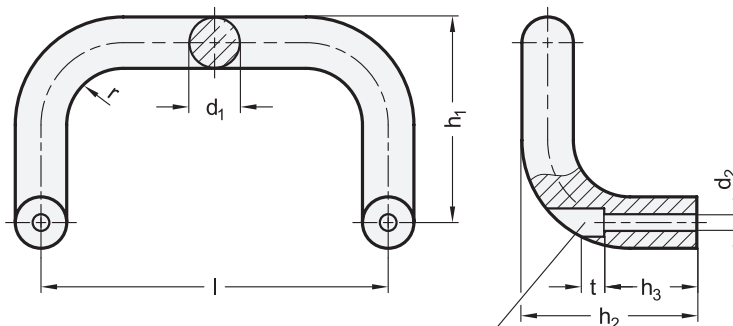
- Powder coated  
Black, RAL 9005, textured finish **SW**  
Silver, RAL 9006, textured finish **SR**
- Plain finish, tumbled **BL**

### INFORMATION

Cabinet U-handles GN 426.4 are manufactured from a bent aluminum profile.

### TECHNICAL INFORMATION

- Load Rating Information (see page A35)



Bore for socket cap screw ISO 4762

\* Complete with

**SW** **SR** **BL**  
RAL9005 RAL9006 Plain finish

### GN 426.4

Description	d <sub>1</sub>	Length l	d <sub>2</sub>	h <sub>1</sub> ≈	h <sub>2</sub> ≈	h <sub>3</sub>	r	t ≈	⚖
GN 426.4-AL-20-200-*	20	200	6.5	105	68	36	22	9	368
GN 426.4-AL-20-300-*	20	300	6.5	105	68	36	22	9	467
GN 426.4-AL-28-250-*	28	250	9	125	78	34	32	11	834
GN 426.4-AL-28-350-*	28	350	9	125	78	34	32	11	1030
GN 426.4-AL-28-500-*	28	500	9	125	78	34	32	11	1280

Weight SW

